

Basing Specification (Pin-out)

MTPD

Sony

P19LCP07

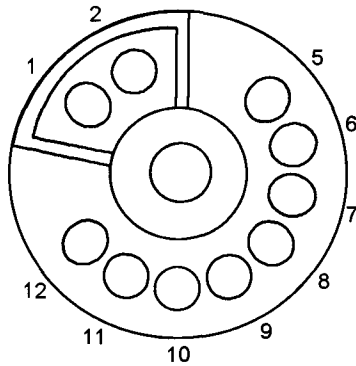
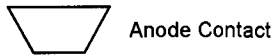
P19LPB03

P19LUG03/43

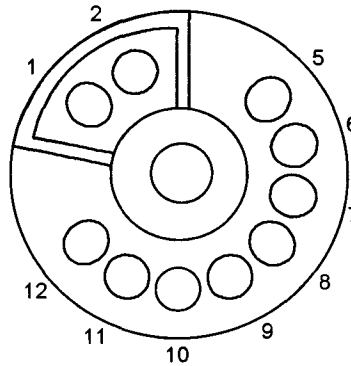
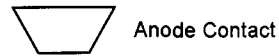
P19LCP09

09MEX2

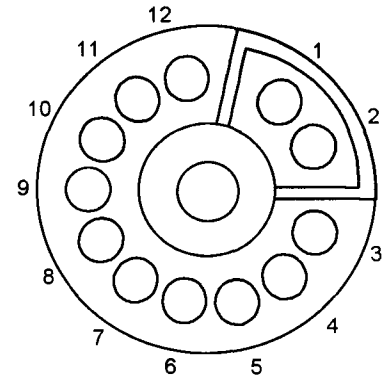
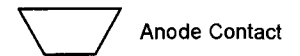
(P19LPV02)



1	No Contact	7	KH (1)
2	No Contact	8	Cathode
3		9	Heater
4		10	Heater
5	Grid No. 1	11	Grid No. 1
6	Grid No. 2	12	Grid No. 1



1	No Contact	7	No Contact
2	Grid No. 2	8	Cathode
3		9	Heater
4		10	Heater
5	Grid No. 1	11	Grid No. 1
6	No Contact	12	Grid No. 1



1	Arc Suppressor	7	No Contact
2	No Contact	8	Grid No. 1
3	Grid No. 1	9	Cathode
4	Grid No. 2	10	No Contact
5	Heater	11	No Contact
6	Heater	12	Grid No. 1

Note: (1)resistor of over 1 M ohm and ½ watt istalles for KH pin (No. 7 pin) in order to get low capacitance efficiency.